

Adhesive Labels – 13.56MHz

Able ID's Adhesive labels have blank matt paper on the top, which protects the chip and the antenna underneath. Thanks to their permanent adhesive layer with release paper (on the backside of the label), they can be easily fixed to the items. They can be personalised at the customer site with a HF printer or can be ordered pre-personalised from Able ID, for example with barcode.

They are available with different IC technologies (13.56MHz) and can be produced in different sizes. The delivery form is single die cuts or on reel.

Applications:


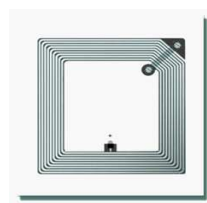
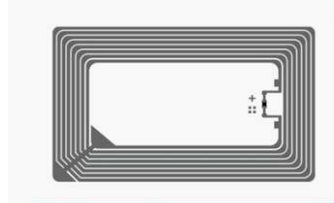
- Supply chain
- Warehouse / Logistics
- Document identification
- Book identification
- Fiestivals, Concerts & tours
- Exhibitions, Concerts, Theme Parks
- Cashless Payments
- Social Media



Product specification:

Thickness:	0.5mm (average)
Top cover layer:	White Paper Overlay White PET Overlay as an option
Adhesive layer :	Permanent adhesive with release paper
Carrier :	Siliconized paper
Packaging:	singularized or on reel
Options (on request):	- Printing of logo - Barcode - Serial number / UID Number

Available label dimensions and antenna designs:

label ROUND	label SQUARE	label RECTANGLE
		
Sizes : ∅ 27mm ∅ 30mm ∅ 58mm	Sizes : 38x38mm 45x45mm 50x50mm 55x55mm 58x58mm	Sizes : 30x26mm 44x20mm 45x28mm 70x40mm 83x20mm 85,6x54mm

Available 13,56MHz systems:

IC Type	ISO	Antenna	
NXP Mifare MF1S50	14443A	Alu etched	
NXP Mifare MF1S20	14443A	Alu etched	
NXP Mifare Ultralight	14443A	Alu etched	
NXP Mifare DESFire EV1 8K	14443A	Alu etched	
NXP I-Code SLI / SLI-S / SLI-X	15693	Alu etched	
LEGIC Prime MIM256	14443A	Alu etched	
TI Tag-it HFI	15693	Alu etched	

Other IC types available on request